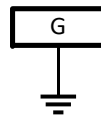


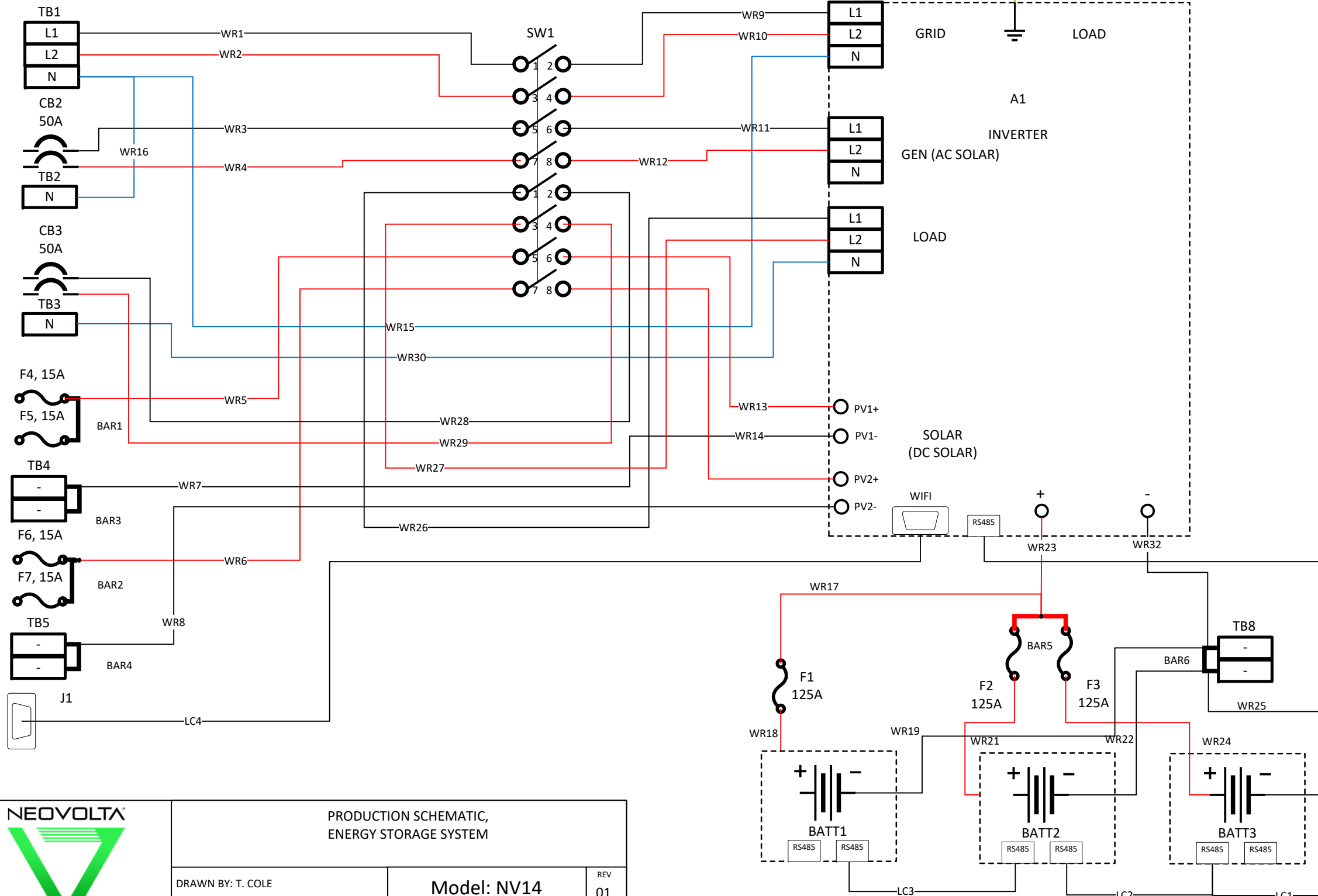
NV14

TB6



WR31

GRID INPUT: 208VAC OR 240VAC



NEOVOLTA



PRODUCTION SCHEMATIC,
ENERGY STORAGE SYSTEM

DRAWN BY: T. COLE

Model: NV14

REV
01

DATE: 02-26-24

SIZE
B

SHEET
1 OF 1

