



Powering Business Worldwide

D TYPE BR LOADCENTER RATINGS:

Enclosure:	Outdoor NEMA 3R
Incoming Main:	Main Lug Only
Loadcenter Electrical Rating:	120/240 VAC, Single Phase
Loadcenter Ampere:	125 Amps Max
Number of Spaces & Circuits:	See Table on Page 2
Incoming Wire Range:	#6-2/0
Bus Bar Material:	Tin Plated Aluminum (Standard)
Enclosure Paint:	ANSI 61 Light Gray
Short Circuit Rating:	See Branch Breaker Ratings
Box Dimensions:	14.3"W x 5.2"D x "A" (See Table on page 2)

FEATURES:

Plastic Backpan - For Plug-On Neutral Branch Breakers.

Single keyhole mounting - One keyhole at top for mounting and leveling.

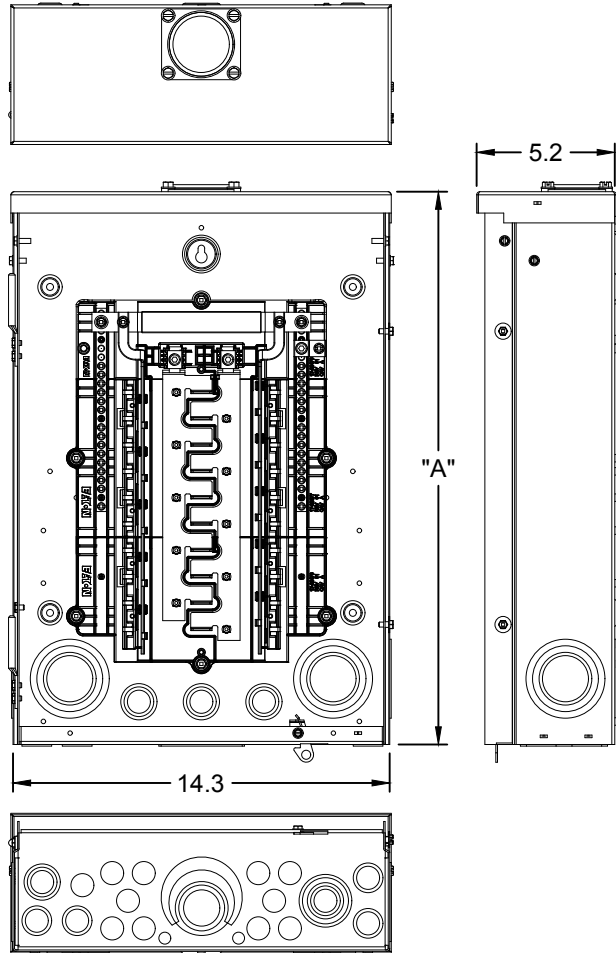
Inboard Neutral Bar Assembly - For better management of load wires.

Top or bottom feed - Acceptable for either top or bottom applications.

Warranty - 10 year limited warranty on all BR Loadcenters and Breakers.

OPTIONAL ACCESSORIES:

Catalog Number	Description
GBKP5	5 POS #14-4 Ground Bar
GBKP10	10 POS #14-4 Ground Bar
GBKP14	14 POS #14-4 Ground Bar
GBKP21	21 POS #14-4 Ground Bar
NL20	Neutral/Ground Lug #2/0 max
NLP20	Neutral/Ground Lug #2/0 max w/Bonding Tab
BRFPF	1" Filler Plate
BRPHD	Hold-down kit for Type BR breaker



B

B

A

A

TITLE BR 1" LOADCENTER, MAIN LUG ONLY, OUTDOOR NEMA 3R, 120/240 VAC, 1 PHASE	DRAFTER/DESIGNER M.S.	DATE (YYYY/MM/DD) 2018/10/18
---	--------------------------	---------------------------------

EATON CORPORATION - CONFIDENTIAL AND PROPRIETARY NOTICE TO PERSONS RECEIVING THIS DOCUMENT AND/OR TECHNICAL INFORMATION THIS DOCUMENT, INCLUDING THE DRAWING AND INFORMATION CONTAINED THEREON, IS CONFIDENTIAL AND IS THE EXCLUSIVE PROPERTY OF EATON CORPORATION, AND IS MERELY ON LOAN AND SUBJECT TO RECALL BY EATON AT ANY TIME. BY TAKING POSSESSION OF THIS DOCUMENT, THE RECIPIENT ACKNOWLEDGES AND AGREES THAT THIS DOCUMENT CANNOT BE USED IN ANY MANNER ADVERSE TO THE INTERESTS OF EATON AND THAT NO PORTION OF THIS DOCUMENT MAY BE COPIED OR OTHERWISE REPRODUCED WITHOUT THE PRIOR WRITTEN CONSENT OF EATON. IN THE CASE OF CONFLICTING CONTRACTUAL PROVISIONS, THIS NOTICE SHALL GOVERN THE STATUS OF THIS DOCUMENT. © 2018 Eaton Corporation, All Rights Reserved	SIZE A	DRAWING NUMBER 98-1212	REVISION 02
			UNLESS OTHERWISE SPECIFIED DIMENSIONS IN INCHES SCALE 1=6

3

2



Powering Business Worldwide

LOADCENTER DETAILS

Catalog #	Dim "A"	Main Lug Amps	Spaces / Circuits	Bus Material	Bus Bar Amps Max.	Wire Size Range Cu/Al 60°C or 75°C	Notes
BRP12L125R	16.75	125	12/24	Alum.	125	#6-2/0	
BRP16L125R	18.75	125	16/32	Alum.	125	#6-2/0	
BRP20L125R	21	125	20/40	Alum.	125	#6-2/0	

HUB ACCESSORIES:

Catalog Number	Description
DS075H1	3/4" HUB
DS100H1	1" HUB
DS125H1	1-1/4" HUB
DS150H1	1-1/2" HUB
DS200H1	2" HUB
DS200H2	2" HUB
DS250H2	2-1/2" HUB
DS300H2	3" HUB

Note: Catalog Numbers may have additional characters at the end which describe alternate details, including but not limited to the following: F, W, G, K, M, N, Q, P and #s, DG, V and #s. Contact sales for those specific details when necessary.

TITLE BR 1" LOADCENTER, MAIN LUG ONLY, OUTDOOR NEMA 3R, 120/240 VAC, 1 PHASE	DRAFTER/DESIGNER M.S.	DATE (YYYY/MM/DD) 2018/10/18
---	--------------------------	---------------------------------

EATON CORPORATION - CONFIDENTIAL AND PROPRIETARY NOTICE TO PERSONS RECEIVING THIS DOCUMENT AND/OR TECHNICAL INFORMATION THIS DOCUMENT, INCLUDING THE DRAWING AND INFORMATION CONTAINED THEREON, IS CONFIDENTIAL AND IS THE EXCLUSIVE PROPERTY OF EATON CORPORATION, AND IS MERELY ON LOAN AND SUBJECT TO RECALL BY EATON AT ANY TIME. BY TAKING POSSESSION OF THIS DOCUMENT, THE RECIPIENT ACKNOWLEDGES AND AGREES THAT THIS DOCUMENT CANNOT BE USED IN ANY MANNER ADVERSE TO THE INTERESTS OF EATON AND THAT NO PORTION OF THIS DOCUMENT MAY BE COPIED OR OTHERWISE REPRODUCED WITHOUT THE PRIOR WRITTEN CONSENT OF EATON. IN THE CASE OF CONFLICTING CONTRACTUAL PROVISIONS, THIS NOTICE SHALL GOVERN THE STATUS OF THIS DOCUMENT. © 2018 Eaton Corporation, All Rights Reserved	SIZE A	DRAWING NUMBER 98-1212	REVISION 02
			UNLESS OTHERWISE SPECIFIED DIMENSIONS IN INCHES SCALE 1=6